

KETTLER®

Assembly Instructions/Instrucciones para armado

„HAPPY NAVIGATOR“ # 08838-599
„HAPPY AIR NAVIGATOR“ # 08839-599



Printed on 100% recycled paper.!

Impreso en el papel reciclado el 100%



FREIZEIT MARKE KETTLER


KETTLER® International Inc. · 1355 London Bridge Road · Virginia Beach, VA 23453 USA
www.kettlerusa.com

Assembly Instructions

Read these instructions carefully before assembling the product or using it for the first time. They contain important information for your safety and for the correct use and maintenance of this KETTLER® product. Keep the instructions in a safe place for information or for ordering spare parts.

This KETTLER® product has been designed in accordance with the latest standards of safety and subjected to constant quality monitoring. The data gained from this quality process is then incorporated in the development of our products. For this reason, we reserve the right to make changes in design and technology in order to offer our customers products of the highest standard of quality at all times. In spite of this, should you have any ground for complaint, please contact KETTLER®.

For your safety

- This toy vehicle should be used for its intended purpose only, i.e. one (1) child only. It should not be used in any other way, as this may be dangerous. The manufacturer cannot be held liable for damage or injury caused by incorrect use.
- This item is not intended for commercial use.
- This product is a toy and is not suitable for use in traffic or on public roads.
- Always keep a watchful eye on your child in order to avoid risks by thoughtless and hasty movements.
- Please care for the fact that the tricycle is only used on safe ground.
- The tricycle is an unlighted play implement. Its use in the dark is dangerous.
- In case of a sudden and/or strong turn of the handlebar the tricycle could be caused to tip. Danger of injuries!
- The tricycle must not be connected with other vehicles, sports or similar devices and not be driven/pulled by them. Never subject your child on the tricycle to speeds exceeding walking pace!
- We recommend that a child using the tricycle should wear a child's bicycle helmet.
- Damaged components may endanger the safety of your child or shorten the lifespan of the product. Inspect it at regular intervals to ensure that none of the components are damaged and that none of the bolts or other joints have worked loose.
- Replace worn or damaged parts immediately and ensure that the product is not used again until this has been done. If any parts require replacement, use only original spares manufactured by KETTLER®.
- This child's wheeled toy conforms to the stipulated safety regulations European standard EN 71-1/3 („Safety regulations for children's toys“, max. weight of user: 110 lbs. The proprietary KETTLER® tunnel tubing alone has a 400lb weight limit; this does not include wheel axle, fork, etc.). Incorrect repairs or alterations (removal of original parts or addition of other parts etc.) may be a source of danger to the user.
- This product is suitable for children between 1 - 5 years
-  **Caution:** While assembly of the product keep off children's reach (Choking hazard - contains small parts).

Use of the Toy

- **WARNING:** Adult supervision is required. Never use near steps, slopes, driveways, hills, roadways, alleys or swimming pool areas. Always wear shoes. Never allow more than one rider (without a tandem seat). The use of protective gear and a Safety Helmet is highly recommended.
- Ensure that the toy vehicle is not used until it has been properly assembled and checked by

an adult person.

- In case of tricycles without a free-wheel consider the fact that the pedals will rotate even when the tricycle is pushed.
- Do not transport any objects on the tricycle.
- Always adjust the use of the tricycle to the conditions encountered.
- **Attention:** when children play independently with this wheeled toy, lock the steering mechanism of the rear axle (Rear steering system locking, fig. 1)
- Tricycles do not possess a continuously effective brake system. Therefore, safeguard the tricycle against rolling away when parking it. Never park the tricycle unattended with a child on it!
- Never draw the tricycle behind you as long as a child is seated on it.
- Instruct your child how to use the vehicle correctly and draw attention to possible sources of danger.
- Although dangerous situations are unlikely to occur if the toy is used correctly, children at play should, if possible, be supervised.
- Please keep original packaging of this article, so that it may be used for transport at a later date, if necessary.
- Please bear in mind that there is **always a danger** of children injuring themselves while using swings, climbing frames, toy vehicles or similar equipment.
- When using the toy vehicle, the user should always wear strong shoes.
- When children are at play, situations may arise which cannot be predicted by the manufacturer and for which he cannot be held responsible.
- Before use, always check all screws and plug-in connections as well as respective safety devices fit correctly.
- Never use corrosive or abrasive substances to clean the toy. Never use substances which may cause pollution of the environment.
- Lubricate the bearing sleeves of the wheels and the handlebars with a few drops of oil every two or three months.

Assembly of the toy vehicle

- The toy vehicle must be assembled carefully by an adult person. Study the assembly instructions carefully before beginning work. Assemble the vehicle in the exact sequence shown by the letters in the diagrams. This is essential for the safe function and use of the scooter
- Please note that there is **always** a danger of injury when working with tools or doing manual work. Therefore please be careful when assembling this machine.
- Ensure that your working area is free of possible sources of danger, for example don't leave any tools lying around. Always dispose packaging material in such a way that it may not cause any danger. There is always a **risk of suffocation** if children play with plastic bags!
- Bolt all the parts together loosely at first, and check that they have been assembled correctly. Tighten the locknuts by hand until resistance is felt, **then use spanner to finally tighten nuts completely against resistance (locking device)**. Then check that all screw connections have been tightened firmly. **Attention:** once locknuts have been unscrewed they no longer function correctly (the **locking device is destroyed**), and must be replaced.
- The grips can be pushed onto the handlebars more easily if they are first soaked in warm water.
- Please keep original packaging of this article, so that it may be used for transport at a later date, if necessary.
- For technical reasons, we reserve the right to carry out preliminary assembly work (e.g.

addition of tubing plugs).

- When ordering spare parts, always state the full item number, spare-partnumber, the quantity required and the serial number of the product.

Example order: Item no. 08838-599 / spare-part no. 12802003 / 1 piece / s/n . . .

Important: spare part prices do not include fastening material; if fastening material (bolts, nuts, washers etc.) is required, this should be clearly stated on the order by adding the words „with fastening material“.

KETTLER LIMITED WARRANTY

THERE ARE NO WARRANTIES, EXPRESSED OR IMPLIED, MADE BY EITHER THE DISTRIBUTOR OR THE MANUFACTURER ON KETTLER PRODUCTS, EXCEPT THE MANUFACTURER'S LIMITED WARRANTY AGAINST DEFECTS IN MATERIAL SET OUT BELOW:

This KETTLER Limited Warranty applies to products sold through the KETTLER Authorized Dealer Network to the original retail purchaser and authenticated by proof of purchase from a retailer located in the United States. Any shipments made under this warranty will be shipped to the United States only. Any shipment outside of the United States will be at the sole cost of the customer. This KETTLER Limited Warranty is a manufacturer's warranty and is not changed or modified by additional warranties extended by individual retailers at the point of sale. Manufacturer warrants this product to be free from defects in material at the time of the product's tender of delivery for a period of 3 years for residential use. This Limited Warranty is not transferable and does not cover normal wear and tear (including, but not limited to, damage and wear to tires, power shocks, drive belts and other non-durable parts). The liability of the manufacturer under this Limited Warranty shall not include any liability for direct, indirect, or consequential damages resulting from the defect. This Limited Warranty is void if the product is damaged by accident, unreasonable use, improper service, failure to follow instructions provided, modification from its original state, or other causes determined not arising out of defects in material.

This warranty gives you specific legal rights. Should this product become defective due to material within the warranty period, contact KETTLER Parts & Service Dept. by phone at 866.804.0440, fax at 757.563.9273, or e-mail at parts@kettlerusa.com.

THIS LIMITED WARRANTY IS EXPRESSLY IN LIEU OF ANY OTHER WARRANTIES, EXPRESSED OR IMPLIED, INCLUDING ANY IMPLIED WARRANTY OF MERCHANTABILITY OR FITNESS FOR A PARTICULAR PURPOSE, AND OF ANY OTHER OBLIGATIONS OR LIABILITY ON THE PART OF THE MANUFACTURER. KETTLER NEITHER ASSUMES NOR AUTHORIZES ANY OTHER PERSON TO ASSUME FOR IT ANY OTHER LIABILITY IN CONNECTION WITH SUCH PRODUCTS.

Parts & Service Dept.

KETTLER International, Inc.

For parts or service ONLY call 1-866-804-0440 or send e-mail to: parts@kettlerusa.com

KETTLER® International Inc. · 1355 London Bridge Road · Virginia Beach VA 23453 USA

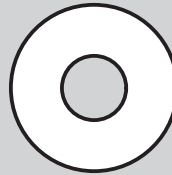
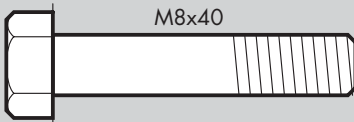
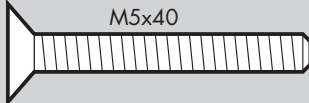
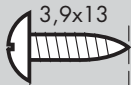
World Wide Web address: www.kettlerusa.com

E-Mail: info@kettlerusa.com

The manufacturer reserves the right to make changes reflecting product or other technical advances. The content of these instructions is accurate at the date of printing.

Measuring help for screw connections

Examples Ejemplos



Ø 22



Ø 16



Ø 12



M8



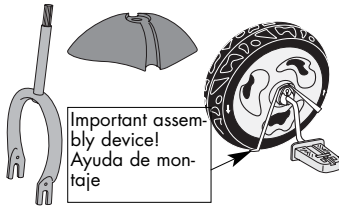
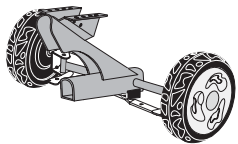
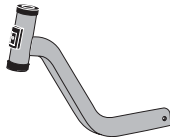
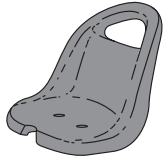
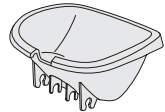
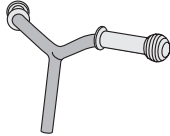


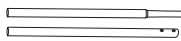

M6






















M5

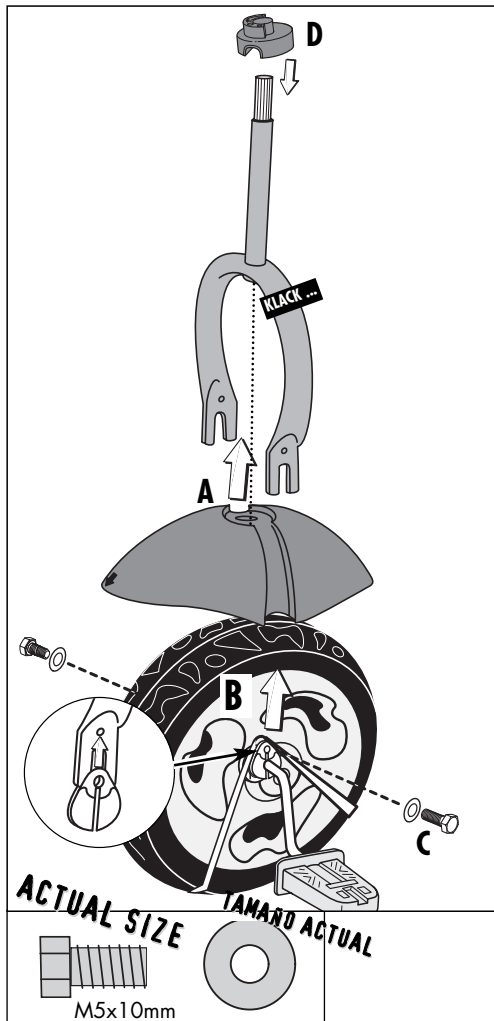


Checklist / Lista de verificación

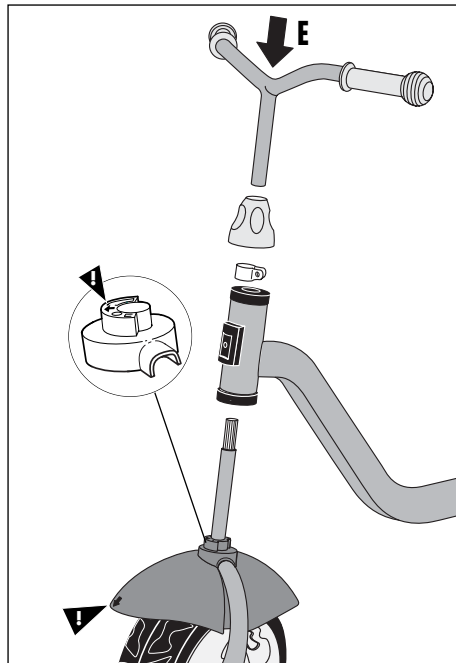
 <p>Important assembly device! Ayuda de montaje</p>	<p>1 1 1</p>	
	<p>1</p>	
	<p>1</p>	
	<p>1</p>	
	<p>1</p>	
	<p>1</p>	
	<p>1</p>	
	<p>1</p>	
	<p>1/1</p>	
	<p>1/1</p>	

	<p>1</p>	
	<p>1/1</p>	
	<p>1</p>	
	<p>1</p>	
	<p>1</p>	
	<p>1</p>	
	<p>M12</p> <p>1</p>	
	<p>M6x65mm</p> <p>2</p>	
	<p>M6x25mm</p> <p>1</p>	
	<p>M5x30mm</p> <p>2</p>	
	<p>M5x10mm</p> <p>2</p>	
	<p>4,8x16 mm</p> <p>1</p>	
	<p>4,2x16 mm</p> <p>5</p>	
	<p>3,9x13 mm</p> <p>2</p>	
	<p>2</p>	
	<p>4x16mm</p> <p>2</p>	
	<p>Ø 6 mm</p> <p>2</p>	
	<p>1</p>	
	<p>1</p>	

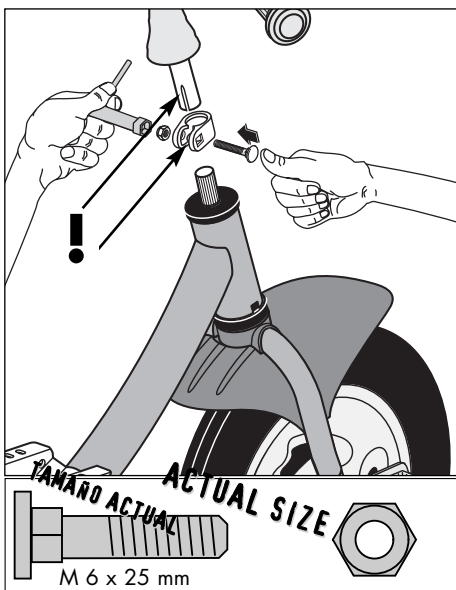
1a



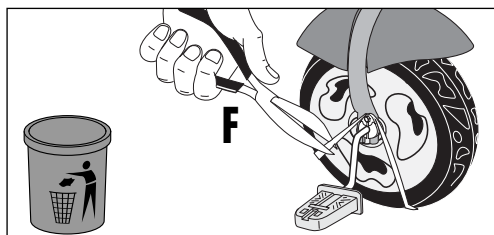
1b



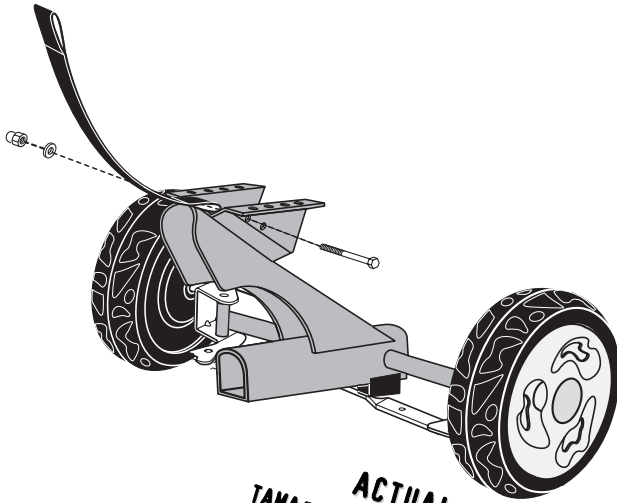
1c



1d



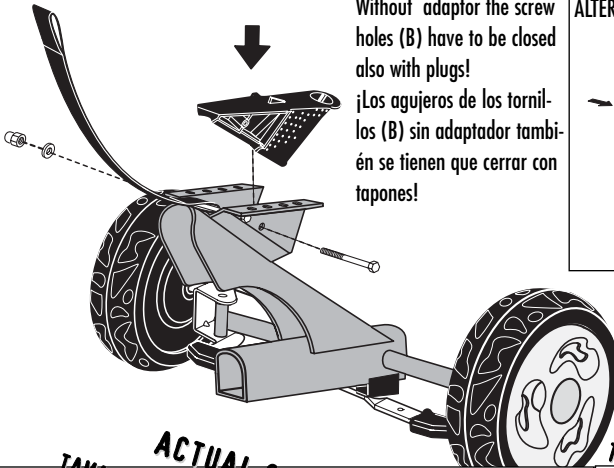
2



TAMARO ACTUAL ACTUAL SIZE

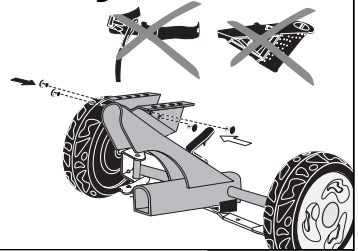


3



Without adaptor the screw holes (B) have to be closed also with plugs!
 ¡Los agujeros de los tornillos (B) sin adaptador también se tienen que cerrar con tapones!

ALTERNATE B



TAMARO ACTUAL ACTUAL SIZE

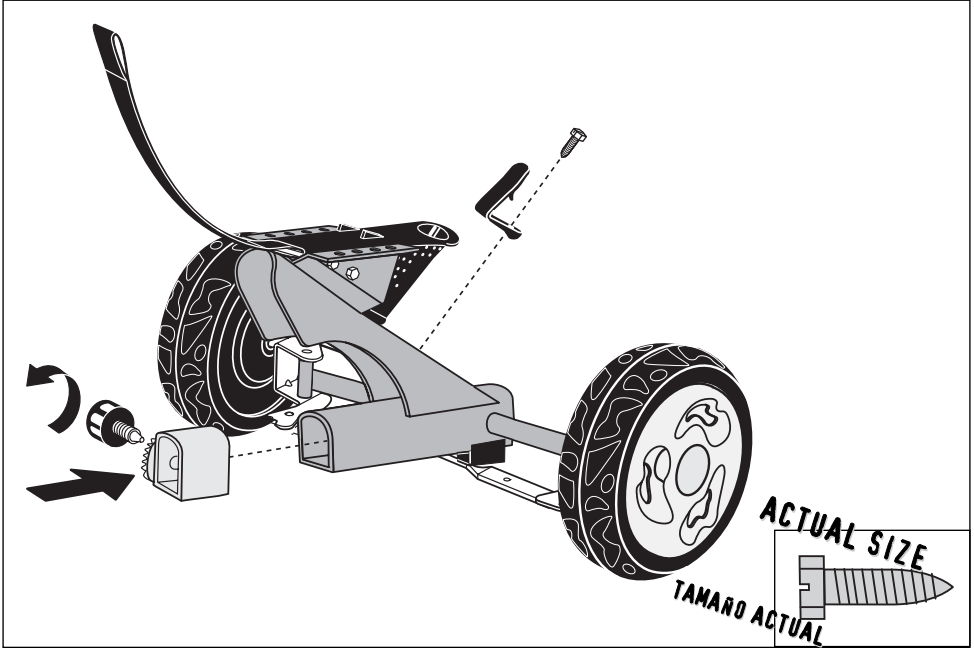
TAMARO ACTUAL ACTUAL SIZE



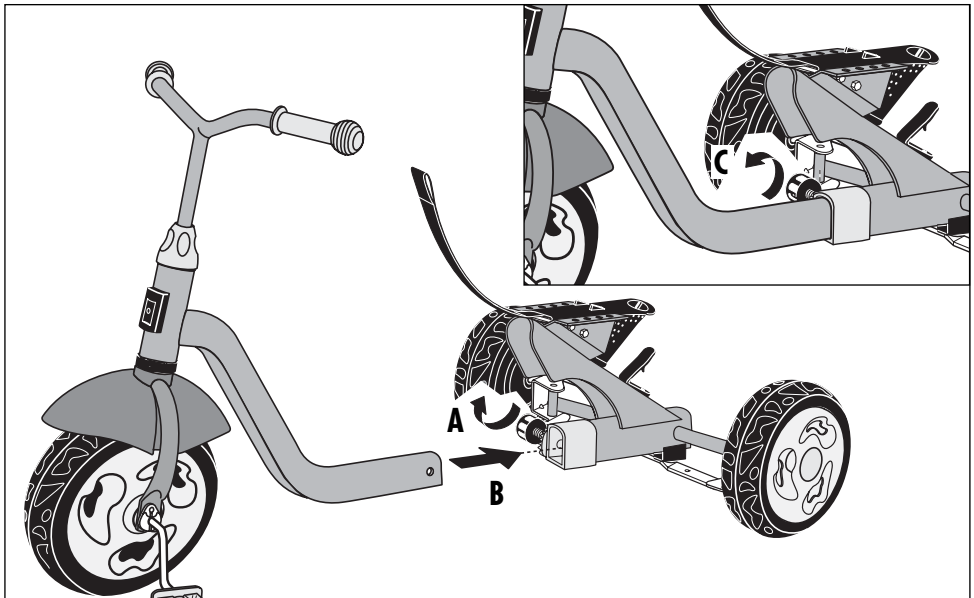
TAMARO ACTUAL ACTUAL SIZE



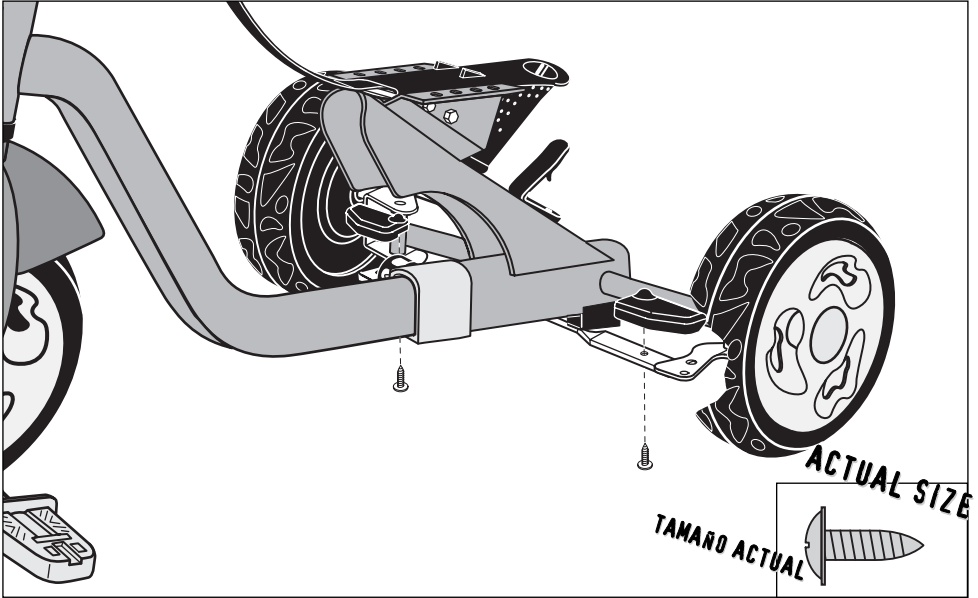
4



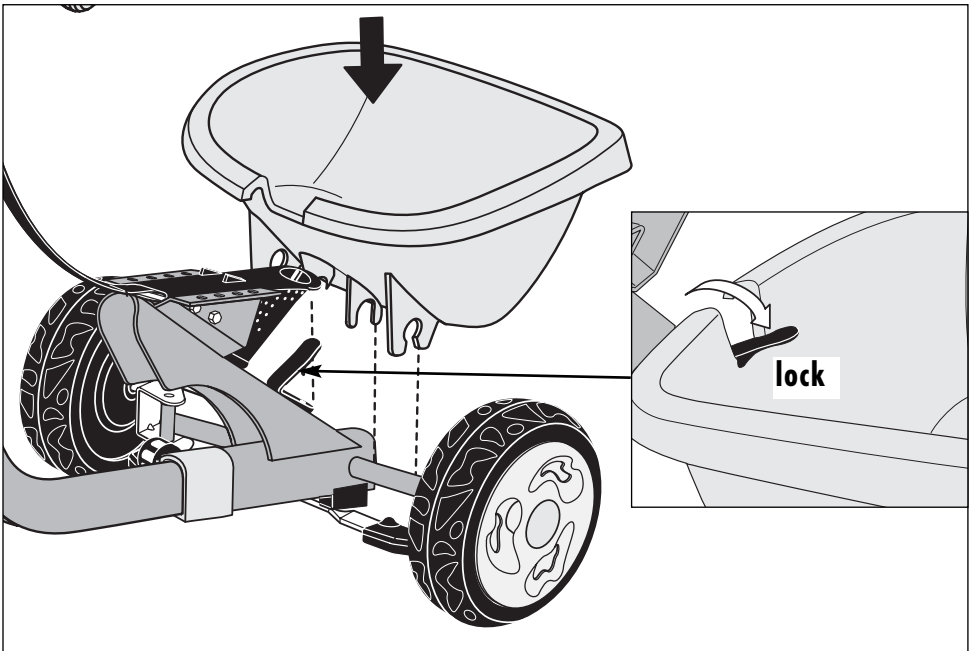
5

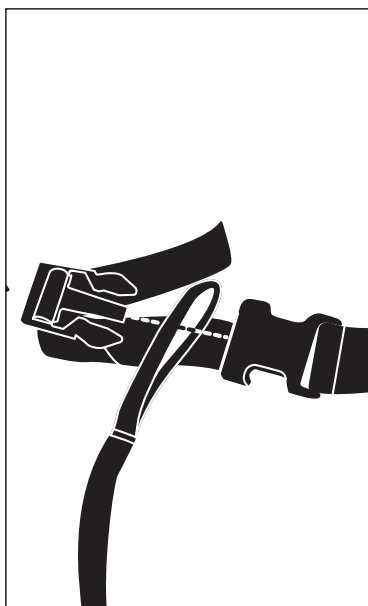
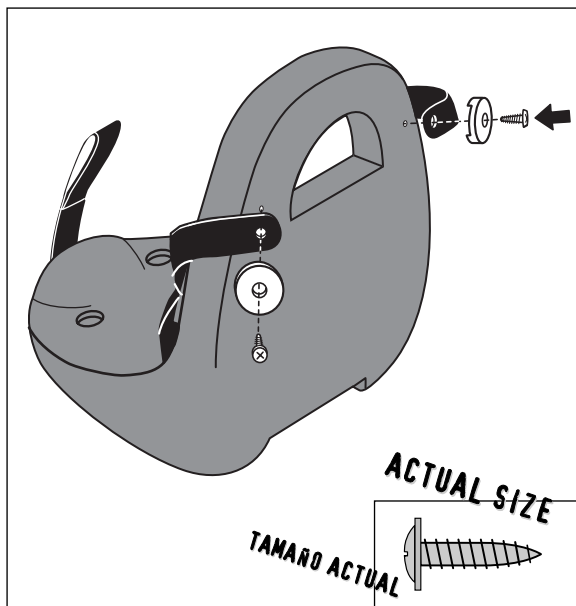
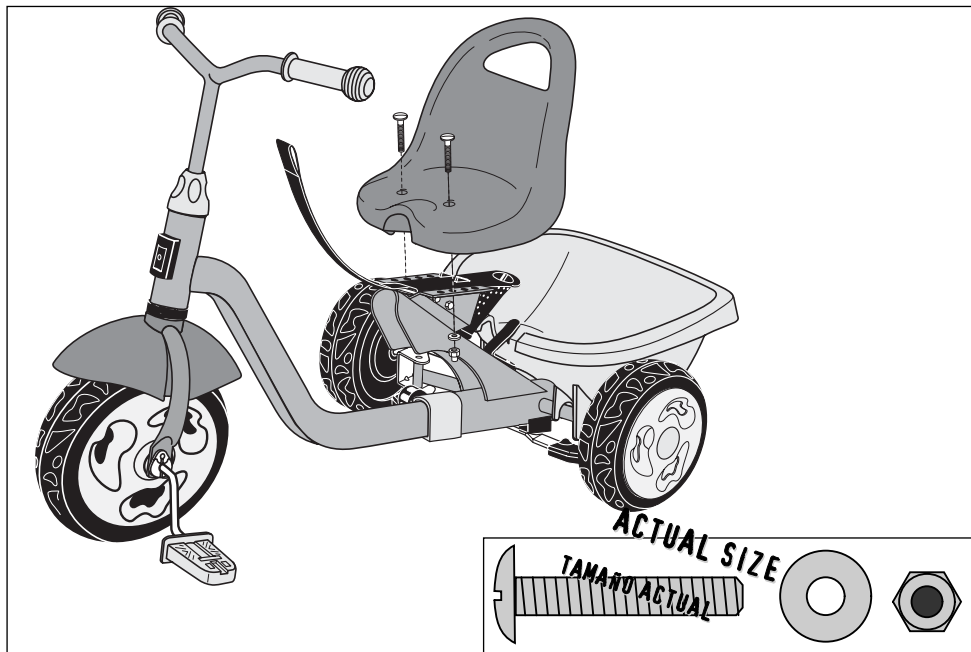


6

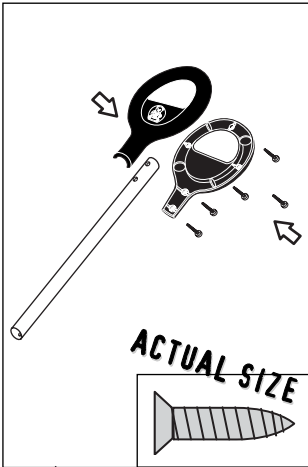


7

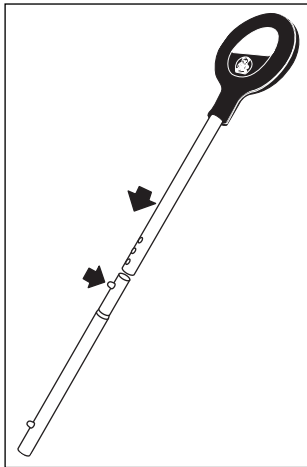




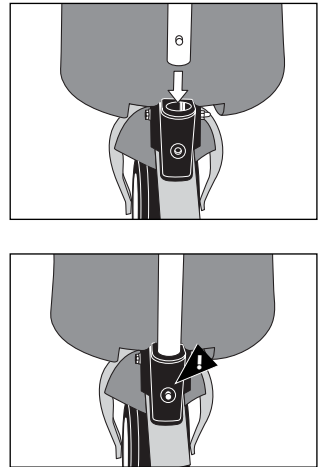
11a



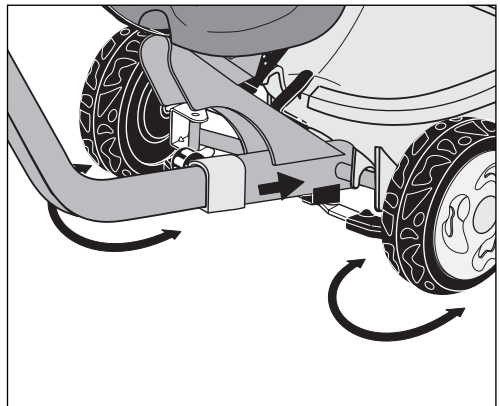
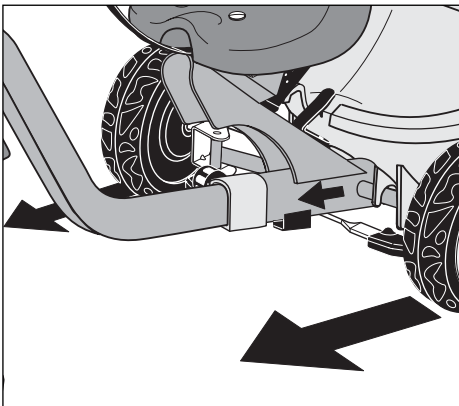
11b



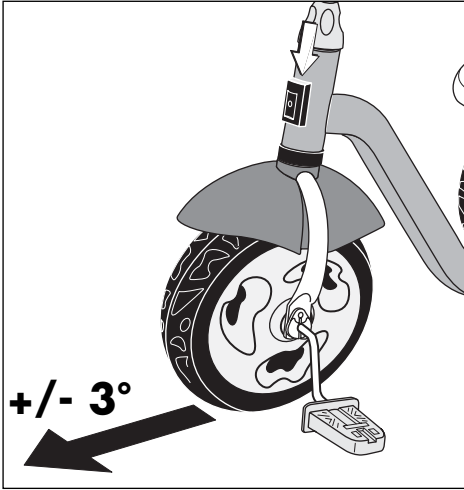
11c



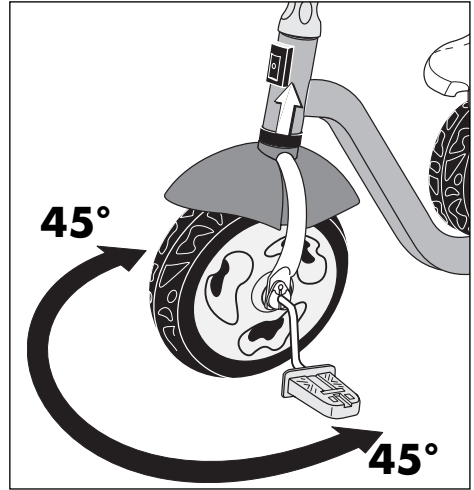
Rear steering system locking/unlocking / Eje trasero bloqueado/libre



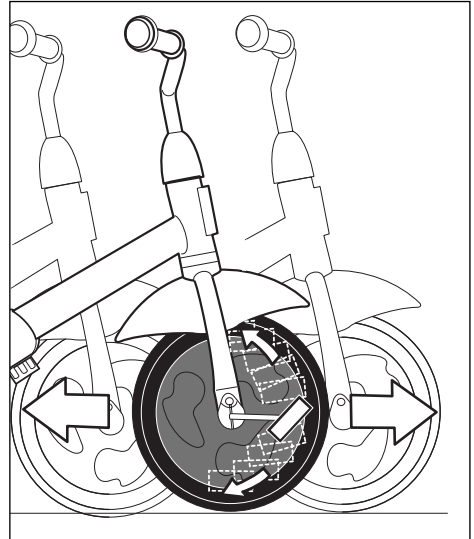
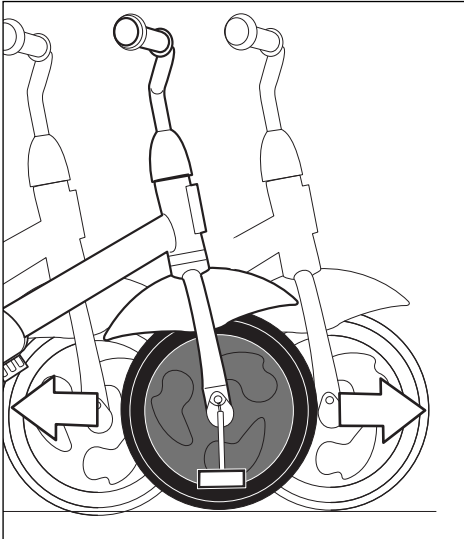
Handlebar locking/unlocking / Limitar del volante

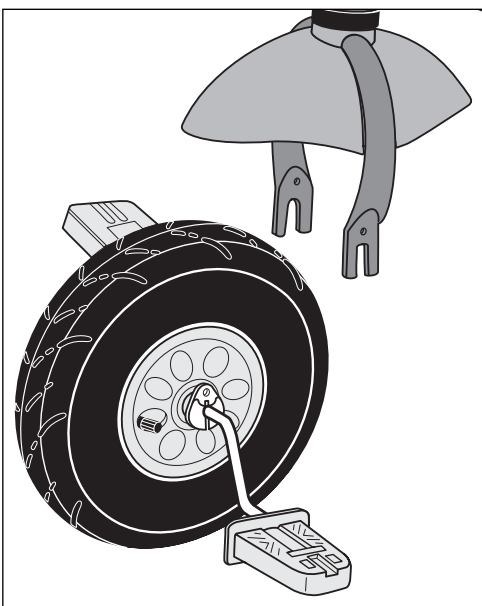
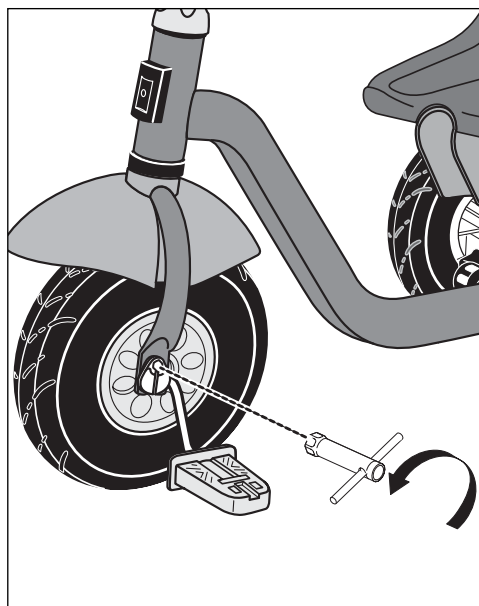
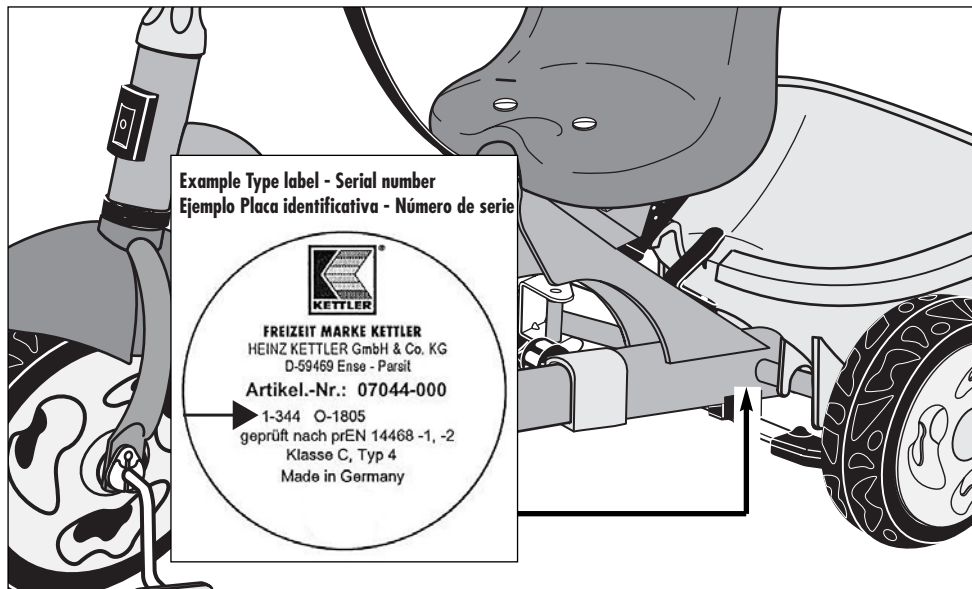


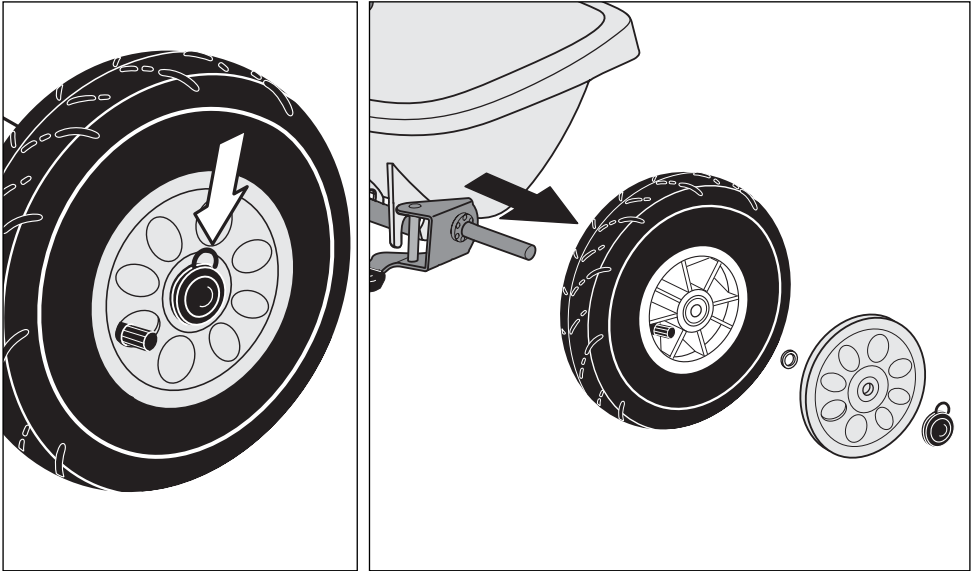
Automatic free wheel / Llanta libre automática



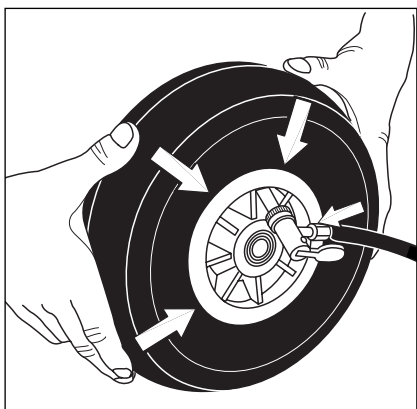
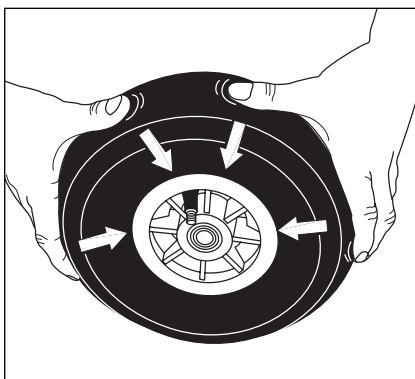
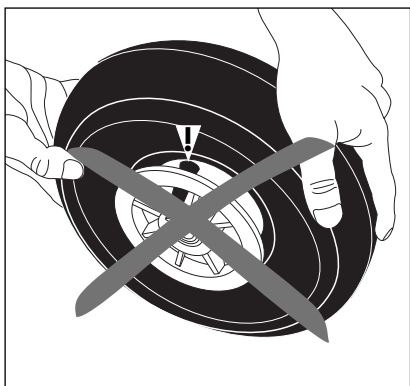
Automatic fixed wheel / Llanta fija automática







Re inflating the rubber tire
Hinchado de los neumáticos



2,5 bar/36 PSI

USA Re inflate

- The rubber tire needs to be seated correctly on the rim.
- Squeeze tire to rim as illustrated to achieve correct seating of the tire on the rim while inflating.
- It is advisable to inflate the tire with the aid of a compressor usually found at your local garage. Tire needs to be inflated quickly.

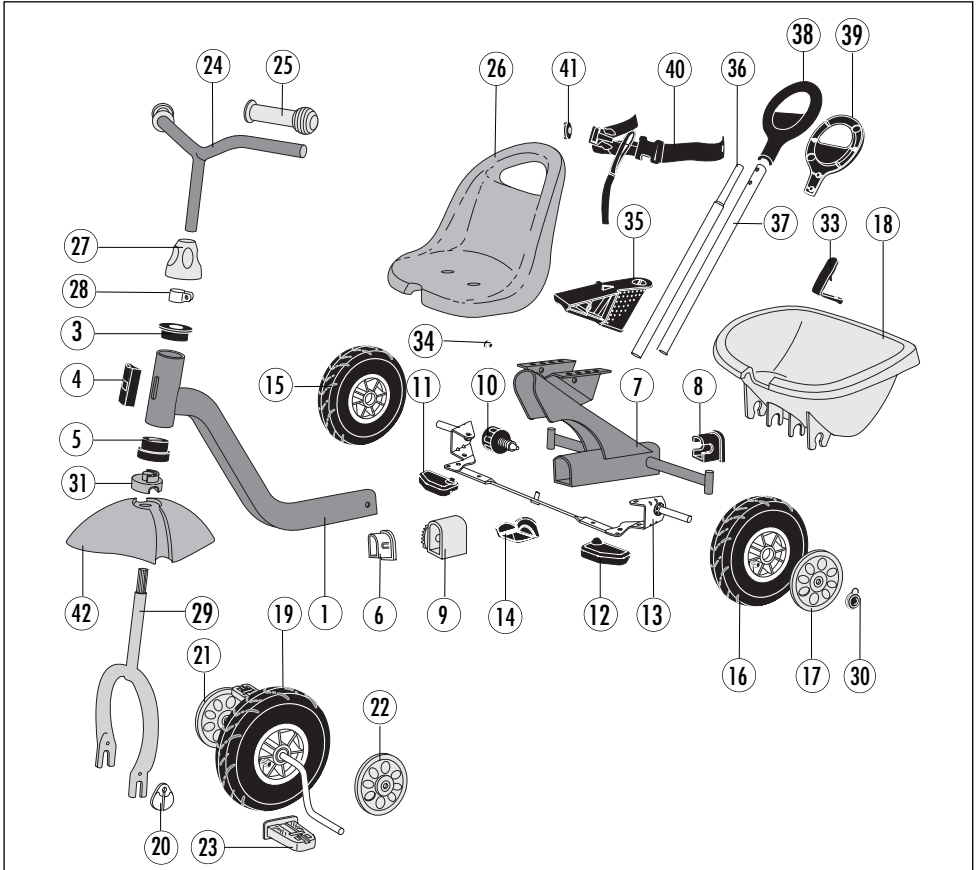
E Hinchado de los neumáticos

- El neumático deshinchado debe estar correctamente montado sobre la llanta.
- Durante el hinchado, adapte el neumático a los bordes de la llanta ejerciendo una presión uniforme sobre el mismo (ver ilustración).
- Hínche el neumático con un compresor, como el que p. ej. puede encontrar en una gasolinera. Un neumático debe ser hinchado con rapidez y de forma uniforme.

Spare parts list / lista de las piezas de recambio „Happy Navigator“ 08838-599

pos.	description	qty.	part no.
1	front frame complete	1	91611419
2	locking pin for parental control (cpl., w/o fig. 2968)	1	91640021
3	headtube bushing (2046)	1	70122051
4	parental control locking mechanism (2970)	1	70121770
5	bottom headtube bushing for ø42mm (2969)	1	70121560
6	front frame plug 35x41 mm (2995)	1	70128425
7	rear frame	1	91611017
8	rear frame plug 40x46 mm (3535)	1	70121432
9	adjustment sleeve (3064)	1	70121435
10	quick release knob M12	1	91670058
11	tie rod covering, right (1401)	1	70121620
12	tie rod covering, left (1401)	1	70121621
13	tie rod with steering knuckles and bolts	1	17015660
14	lock for rear steering system (3838)	1	70121772
15	rear wheel	2	15170087
16	wheel screen (3487)	2	70121845
17	sand bucket (3532)	1	70122088
18	fork	1	91620316
19	front wheel	1	15170081
20	front wheel bearing Ø 8 mm (3217)	2	10116032
21	front wheel screen (3491)	2	70121856
22	pedal for Ø 8 mm (1848)	2	70121541
23	fender (4031)	1	70121467
24	handlebar with grips	1	91650258
25	handlebar grips Ø 22 mm	2	10111023
26	seat (3534)	1	70120241
27	covering for c clamp (3497)	1	70121811
28	c clamp	1	97201280
29	plug for hubcap (2042)	2	70121820
30	rear wheel bearing	4	70121470
31	handlebar limiter (3536)	1	70121396
32	bolt for steering knuckle, tie rod, 8x60 mm (w/o fig.)	2	10407010
33	release latch for sandbucket (3533)	1	70122089
34	plug 8x6,5x12 mm	4	10100169
35	adaptor for push bar (3493)	1	70125638
36	pushbar, lower part	1	97100400
37	pushbar, upper part	1	97100399
38	pushbar grip, upper part (3378)	1	70121573
39	pushbar grip, lower part (3379)	1	70121574
40	safety belt	1	91680193
41	bearing for safety belt	2	70121641
42	hardware bag (w/o) fig.	1	91680488

Spare parts drawing / Designación de las piezas de recambio



When ordering spare parts, always state the full item number, spare part number, the quantity required and the serial number of the product.

Example order: Item no. 08839-599/spare part no. 10111023 /2 piece/ s/n...

Importante: spare part prices do not include fastening material; if fastening material (bolts, nuts, washers etc.) is required, this should be clearly stated on the order by adding the words „with fastening material“.

Cuando pida piezas de recambio, indique el número del artículo completo, el número de la pieza de recambio, la cantidad necesaria, así como el número de serie del aparato.

Ejemplo: N° del artículo: 08839-599 / N° de la pieza de recambio: 10111023 / 2 pieza / número de serie: ...

Importante: las piezas de recambio que se debe atornillar siempre se suministran y facturan sin tornillos. Si necesita los tornillos correspondientes, indíquelo en el suplemento "con tornillos" cuando haga el pedido.

KETTLER® International Inc. · 1355 London Bridge Road · Virginia Beach VA 23453 USA
www.kettlerusa.com

Email: info@kettlerusa.com

Spare parts list / lista de las piezas de recambio „Happy Navigator Air“ 08839-599

pos.	description	qty.	part no.
1	front frame complete	1	91611421
2	locking pin for parental control (cpl., w/o fig. 2968)	1	91640021
3	headtube bushing (2046)	1	70122051
4	parental control locking mechanism (2970)	1	70121770
5	bottom headtube bushing for $\varnothing 42$ mm (2969)	1	70121560
6	front frame plug 35x41 mm (2995)	1	70128425
7	rear frame	1	91611021
8	rear frame plug 40x46 mm (3535)	1	70121432
9	adjustment sleeve (3064)	1	70121435
10	quick release knob M12	1	91670058
11	tie rod covering, right (1401)	1	70121620
12	tie rod covering, left (1401)	1	70121621
13	tie rod with steering knuckles and bolts	1	17015680
14	lock for rear steering system (3838)	1	70121772
15	rear wheel, right	1	42311113
16	rear wheel, left	1	42311114
17	wheel screen (2989)	2	70121848
18	sand bucket (3532)	1	70122088
19	front wheel	1	15170072
20	front wheel bearing $\varnothing 8$ mm (3217)	2	10116032
21	front wheel screen, right (3216)	1	70121747
22	front wheel screen, left (3219)	1	70121748
23	pedal for $\varnothing 8$ mm (1848)	2	70121541
24	handlebar with grips	1	91650313
25	handlebar grips $\varnothing 22$ mm	2	10111023
26	seat (3534)	1	70120242
27	covering for c clamp (3497)	1	70121811
28	c clamp	1	97201280
29	fork	1	91620312
30	hubcap quick lock retainer	2	10112011
31	handlebar limiter (3536)	1	70121397
32	bolt for steering knuckle, tie rod, 8x60 mm (w/o fig.)	2	10407010
33	release latch for sandbucket (3533)	1	70122089
34	plug 8x6,5x12 mm	4	10100169
35	adaptor for push bar (3493)	1	70125638
36	pushbar, lower part	1	97100400
37	pushbar, upper part	1	97100399
38	pushbar grip, upper part (3378)	1	70121573
39	pushbar grip, lower part (3379)	1	70121574
40	safety belt	1	91680193
41	bearing for safety belt	2	70121641
42	fender (4031)	1	70121466
43	hardware bag (w/o) fig.	1	91680512



FREIZEIT MARKE KETTLER



© 2007 KETTLER®. All rights reserved. No part of this catalog may be reproduced, stored in a retrieval system, or transmitted in any form, or by any means, such as electronic, mechanical, photocopying or otherwise, without the prior written permission of KETTLER®.