



L3938



This product is not recommended for use on loose dirt or wet surfaces.

Please keep this instruction sheet for future reference, as it contains important information.

Requires six "AA" (LR6) **alkaline** batteries (not included).

Adult assembly is required.

Tool required for assembly:
Phillips screwdriver (not included).

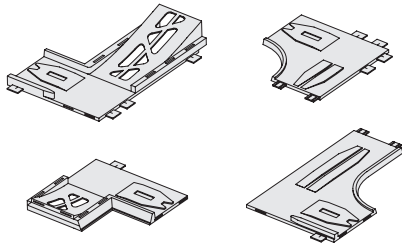
**SHAKE
IN GO!
CRASH-UPS™
SPEEDWAY**

www.fisher-price.com

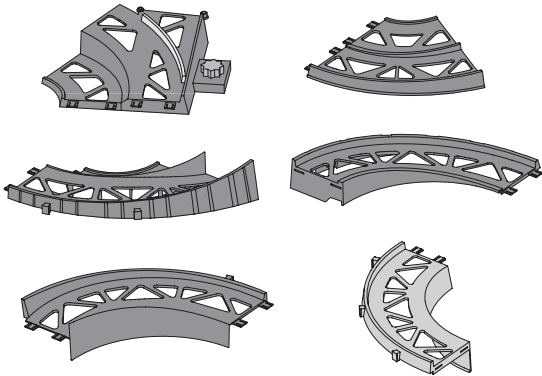
Parts

CAUTION

This product contains small part,
for assembly by an adult. Take extra
care during unpacking and assembly.

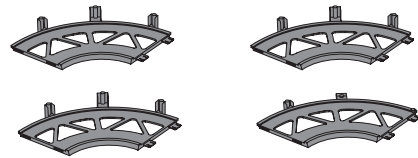


4 Center Tracks

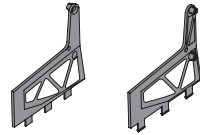


7 Tracks

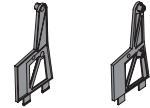
Parts Not Shown: 2 Cars, Label Sheet



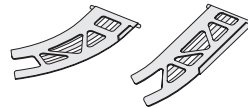
4 Inside Tracks



2 Ramp Rails (Long)



2 Ramp Rails (Short)



2 Ramps



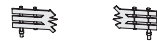
2 Ramp Bars



2 Ramp Connectors



2 Ramp Spinners



Crash Gate Halves



8 Track Supports



#4 x $\frac{3}{8}$ " Screw – 12
Shown Actual Size

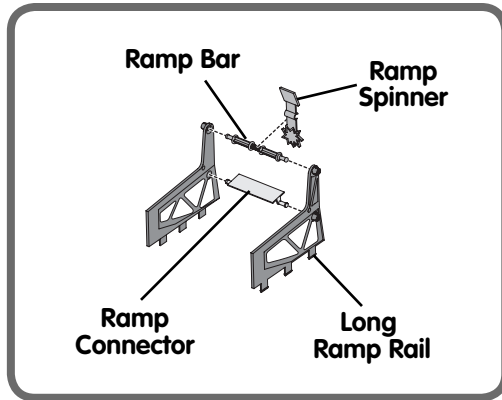
Note: Tighten and loosen all screws with a Phillips
screwdriver. Do not over-tighten screws.

Fisher-Price, Inc., a subsidiary of Mattel, Inc., East Aurora, NY 14052 U.S.A.

©2007 Mattel, Inc. All Rights Reserved. © and ™ designate U.S. trademarks of Mattel, Inc.

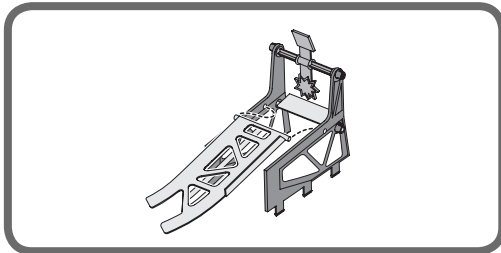
Assembly

1



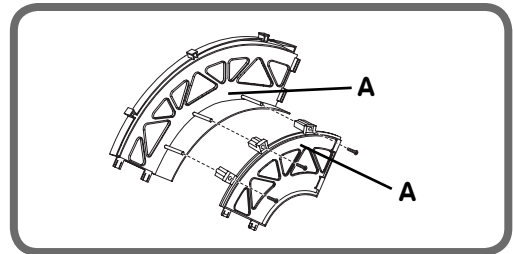
- **"Snap"** a ramp bar and ramp connector into one side of a long ramp rail.
- **"Snap"** the other long ramp rail to the assembly.
- **"Snap"** the ramp spinner onto the support bar.

2



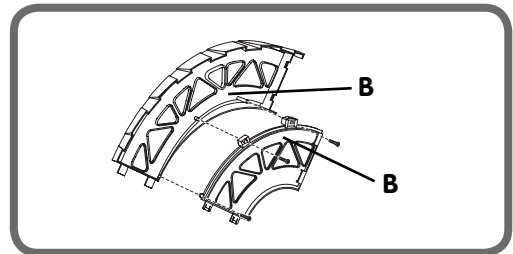
- Fit the pegs on the sides of a ramp into the holes in the long ramp assembly, as shown.
- Note:** If the ramp does not fit, try the other ramp.
- Repeat this procedure to build the short ramp assembly.
- Set the ramp assemblies aside.

3



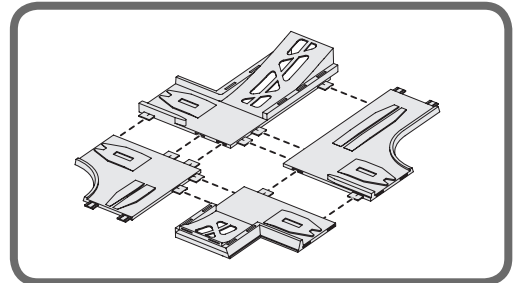
- Fit an inside track marked "A" to track marked "A".
- Insert three screws into the assembly and tighten.
- Repeat this procedure to join two additional "A" track assemblies.

4



- Fit an inside track marked "B" to track marked "B".
- Insert three screws into the assembly and tighten.

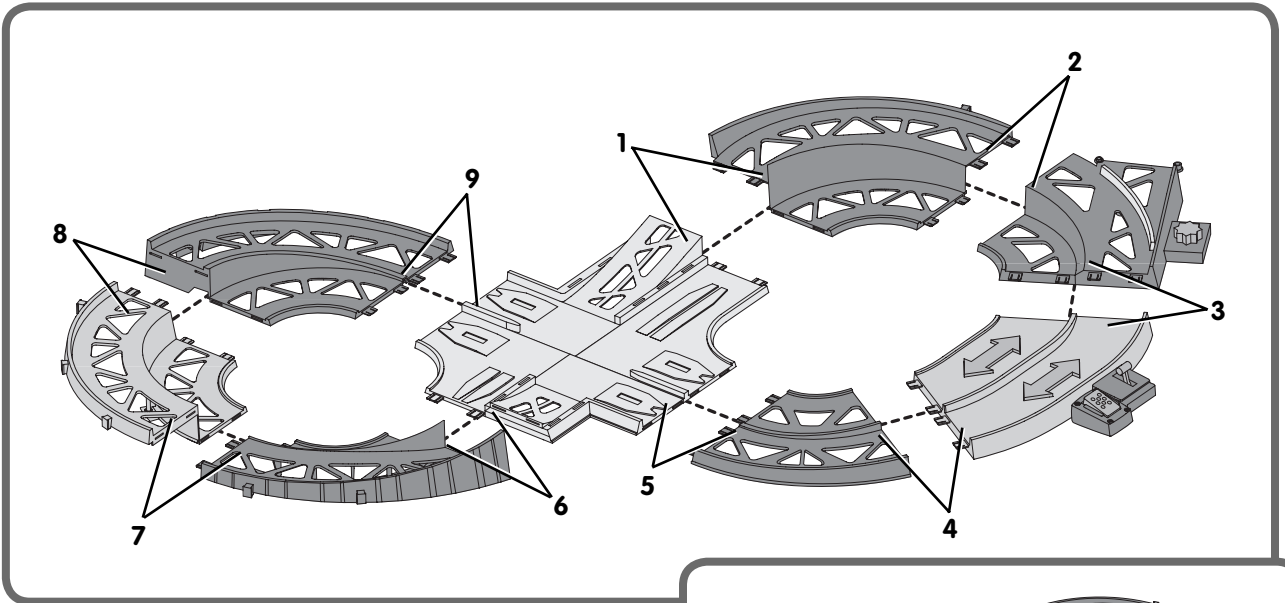
5



- Fit the four center tracks together, as shown.

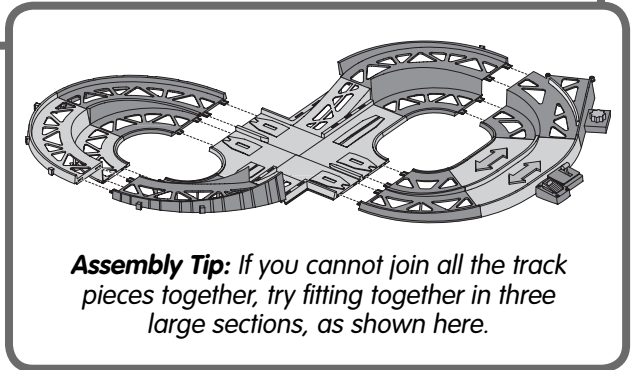
Assembly

6



- Each track piece has a number on the bottom. Simply match the numbers and fit the pieces together.

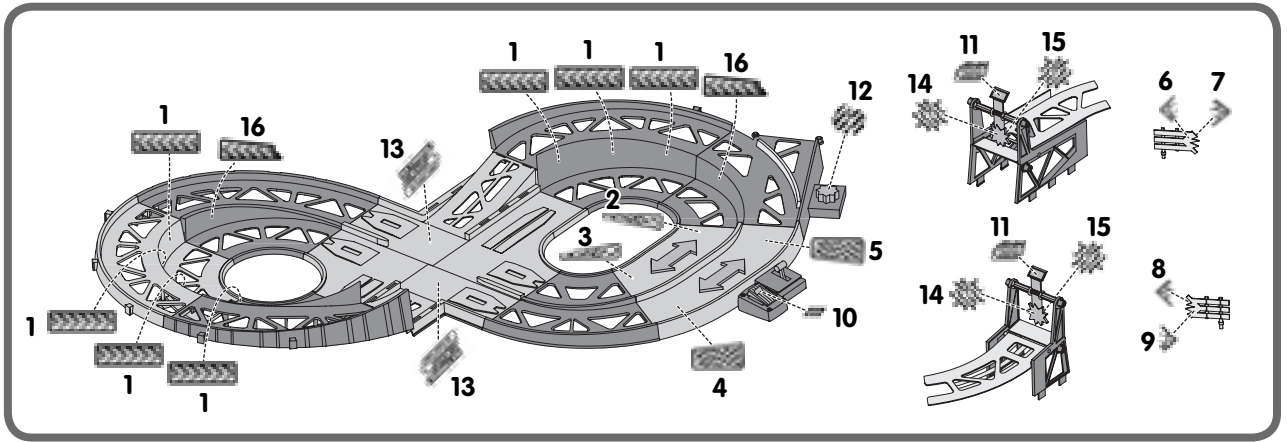
Hint: For best performance, we suggest assembling the track on a hard, flat surface.



Assembly Tip: If you cannot join all the track pieces together, try fitting together in three large sections, as shown here.

Assembly

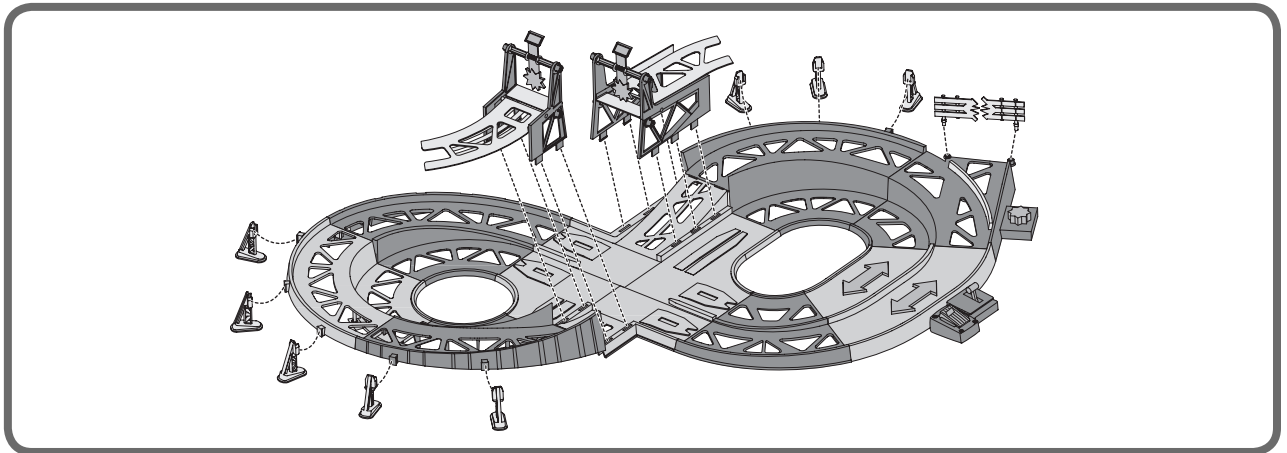
7



Proper label application will help to keep the labels looking their best!

- Make sure the areas where the labels will be applied are clean and dry. Wipe this product with a clean, soft, dry cloth to remove any dust or oils.
- For best results, do not attempt to apply a label more than once.
- Apply the labels as shown in the illustration above.

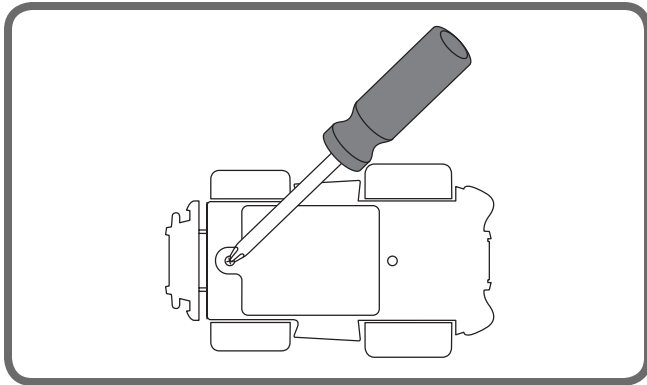
8



- **“Snap”** the ramp assemblies to the track.
- **“Snap”** the crash gate halves to the track.
- Fit the eight track supports on to the matching posts around the track, as shown.

Assembly is now complete.

Battery Installation



- Locate the battery compartment on the bottom of each car.
- Loosen the screw in the battery compartment door with a Phillips screwdriver. Remove the battery compartment door.

• Insert three, new "AA" (LR6) **alkaline** batteries.

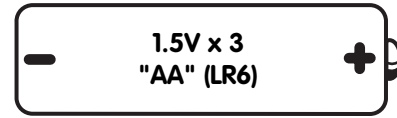
Hint: We recommend using **alkaline** batteries for longer battery life.

- Replace the battery compartment door and tighten the screw.
- When sounds or motions become faint or stop, it's time for an adult to change the batteries!



- Protect the environment by not disposing of this product with household waste (2002/96/EC). Check your local authority for recycling advice and facilities.

Battery Safety Information



In exceptional circumstances, batteries may leak fluids that can cause a chemical burn injury or ruin your toy. To avoid battery leakage:

- Do not mix old and new batteries or batteries of different types: alkaline, standard (carbon-zinc) or rechargeable (nickel-cadmium).
- Insert batteries as indicated inside the battery compartment.
- Remove batteries during long periods of non-use. Always remove exhausted batteries from the toy. Dispose of batteries safely. Do not dispose of the product in a fire. The batteries inside may explode or leak.
- Never short-circuit the battery terminals.
- Use only batteries of the same or equivalent type, as recommended.
- Do not charge non-rechargeable batteries.
- Remove rechargeable batteries from the toy before charging.
- If removable, rechargeable batteries are used, they are only to be charged under adult supervision.

Race! Smash! Crash!

1



- Slide the On/Off switch on the bottom of the car to ● on.

2



- Lift the car and shake it to start the "engine" and the sound effects.

Hint: For maximum distance, shake the car 7 or 8 times. Shaking more than this does not increase the distance it will travel.

3



- Set the cars on the starting arrow and press the pedal to start.
- When your car stops, pick it up and shake it. Set it down again to resume the race.
- Pull the handle down to reset the pedal.

4



- When two cars collide, the doors and hood pop open.
- To reset the car, press down on the hood area.

5



- Press the button to lower the guardrail and send a car crashing through the gate!
- When you're finished, slide the On/Off switch to ○ off.

FCC Statement

United States Only

This equipment has been tested and found to comply with the limits for a Class B digital device, pursuant to Part 15 of the FCC Rules. These limits are designed to provide reasonable protection against harmful interference in a residential installation. This equipment generates, uses and can radiate radio frequency energy and, if not installed and used in accordance with the instructions, may cause harmful interference to radio communications. However, there is no guarantee that interference will not occur in a particular installation. If this equipment does cause harmful interference to radio or television reception, which can be determined by turning the equipment off and on, the user is encouraged to try to correct the interference by one or more of the following measures:

- Reorient or relocate the receiving antenna.
- Increase the separation between the equipment and receiver.
- Consult the dealer or an experienced radio/TV technician for help.

Note: Changes or modifications not expressly approved by the manufacturer responsible for compliance could void the user's authority to operate the equipment.

Consumer Information

**CONSUMER ASSISTANCE**
Call toll free: 1-800-432-5437 (US & Canada only)
M-F 9AM to 7PM / SAT 11AM to 5PM (EST)

 **service.fisher-price.com**

Write to us at: Fisher-Price® Consumer Relations,
636 Girard Avenue, East Aurora, New York 14052.

Hearing-impaired consumers using TTY/TDD equipment,
please call 1-800-382-7470.

For countries outside the United States:

Canada: Mattel Canada Inc., 6155 Freemont Blvd.,
Mississauga, Ontario L5R 3W2; www.service.mattel.com.

Great Britain: Mattel UK Ltd, Vanwall Business Park,
Maidenhead SL6 4UB, Helpline: 01628 500303,
www.service.mattel.com/uk

Australia: Mattel Australia Pty. Ltd., 658 Church Street,
Locked Bag #870, Richmond, Victoria 3121 Australia.
Consumer Advisory Service 1300 135 312.

New Zealand: 16-18 William Pickering Drive,
Albany 1331, Auckland.

Asia: Mattel East Asia Ltd, Room 1106, South Tower,
World Finance Centre, Harbour City, Tsimshatsui, HK, China.

Care

- Wipe with a clean cloth dampened with a mild soap and water solution. Do not immerse.